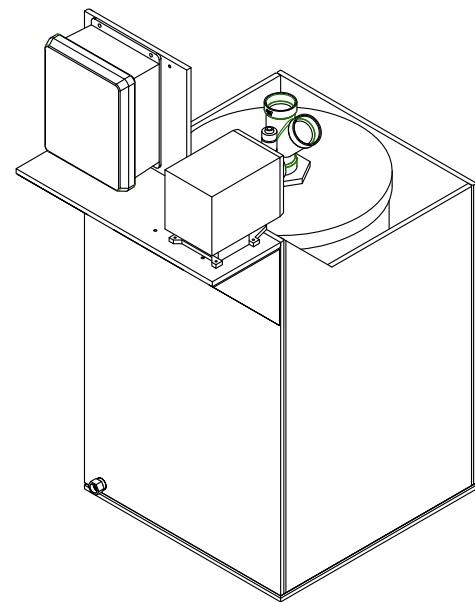
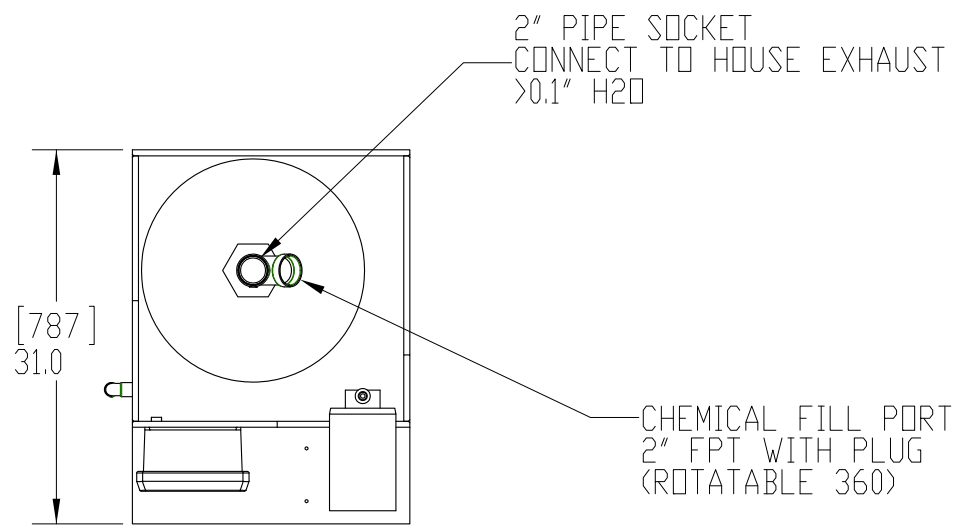


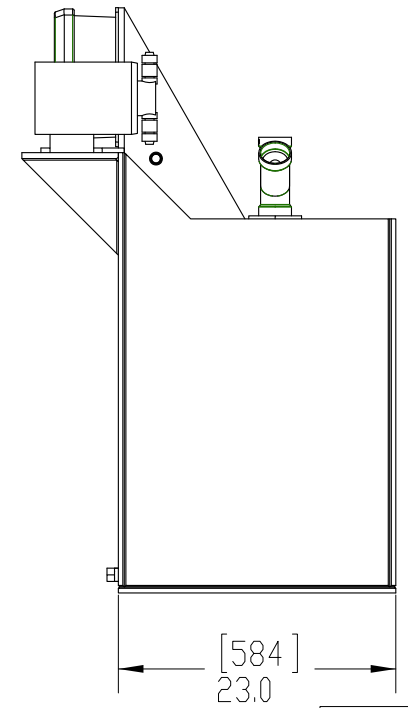
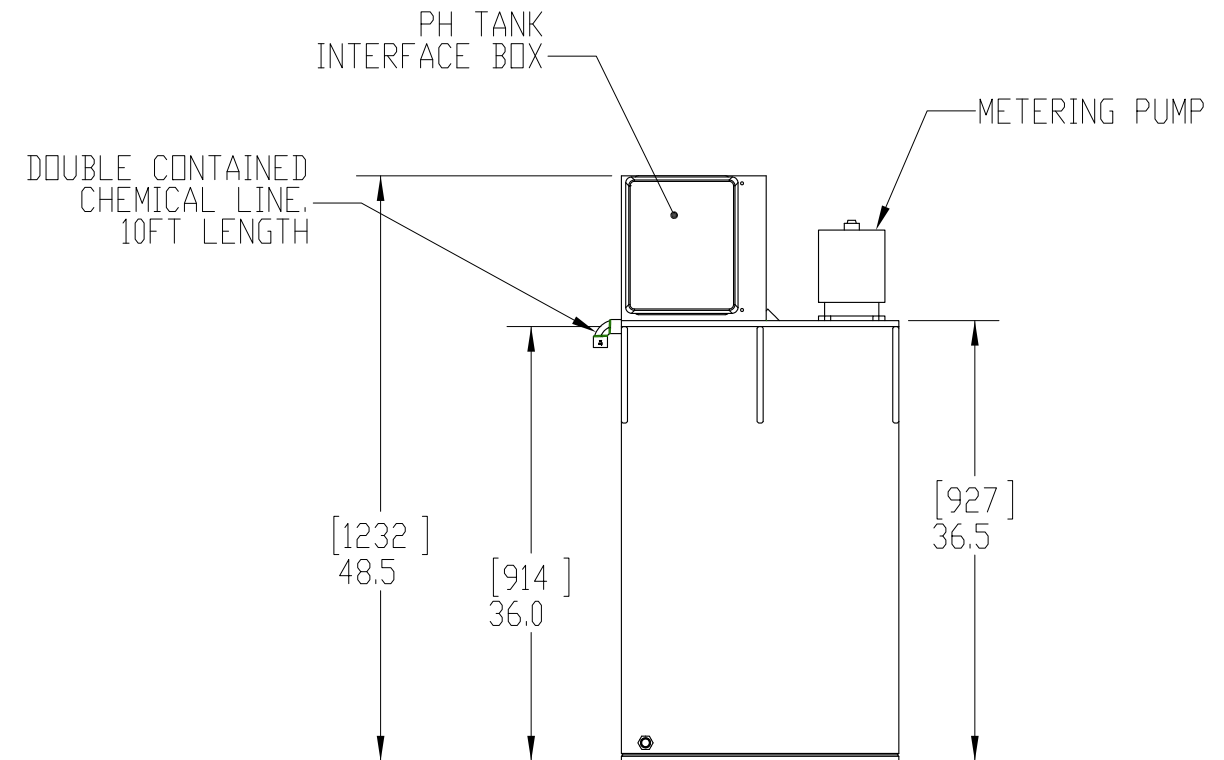
D

D



C

C



B

B

A

A

UNLESS OTHERWISE SPECIFIED:				AIRGARD INC.	
DIMENSIONS ARE IN INCHES TOLERANCES X.X ± .05 X.XX ± .01 X.XXX ± .005 ANGLES ± .5		DRAWN BY D.MESSINED		TITLE: FACILITIES, CYC pH CART	
MATERIAL NA		DRAWN DATE 07/25/2012			
MATERIAL MANUFACTURER		PROPRIETARY AND CONFIDENTIAL THE INFORMATION CONTAINED IN THIS DRAWING IS THE SOLE PROPERTY OF AIRGARD INC. ANY REPRODUCTION IN PART OR AS A WHOLE WITHOUT THE WRITTEN PERMISSION OF AIRGARD INC. IS PROHIBITED.		SIZE B	DWG. NO. 000070
FINISH NA				SCALE: 1:16	REV E1
DO NOT SCALE DRAWING				SHEET 2 OF 2	